

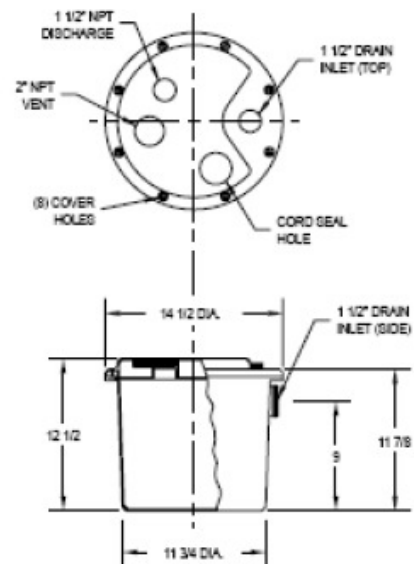
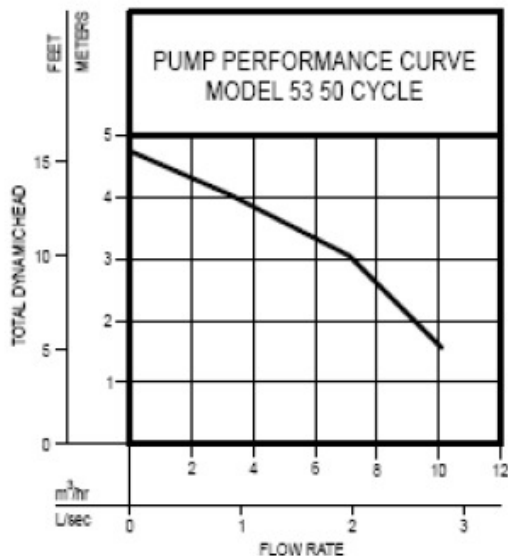
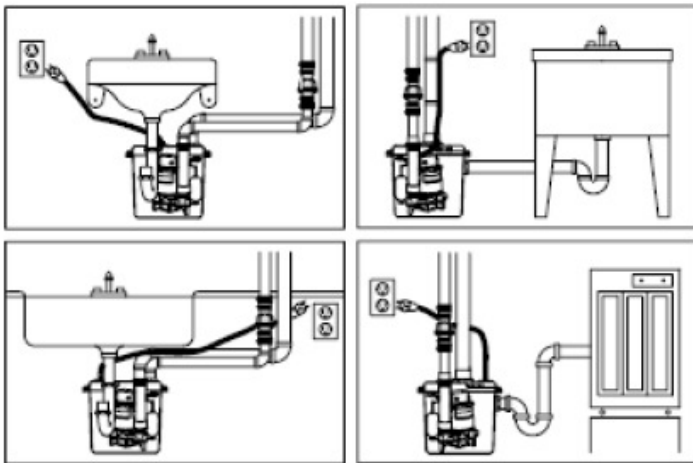
Direct Pumps & Tanks Ltd

Micro Drain waste water pump station

Removes water from areas where gravity flow is not available.

Ideally suited as a laundry tray pump, wet bars, sinks, air conditioning condensate removal. It can also be used in conjunction with dishwashers, showers and garbage disposal applications.

Package includes for;
Automatic pump
All pipe connection and plumbing connections
Non return valve
Tank and Lid



Unit 12, Cossall Industrial Estate, Ilkeston, Derbyshire, DE7 5UA

T: 0115 9444474 / 9324641. F: 0115 9442040. E: info@dpandt.co.uk