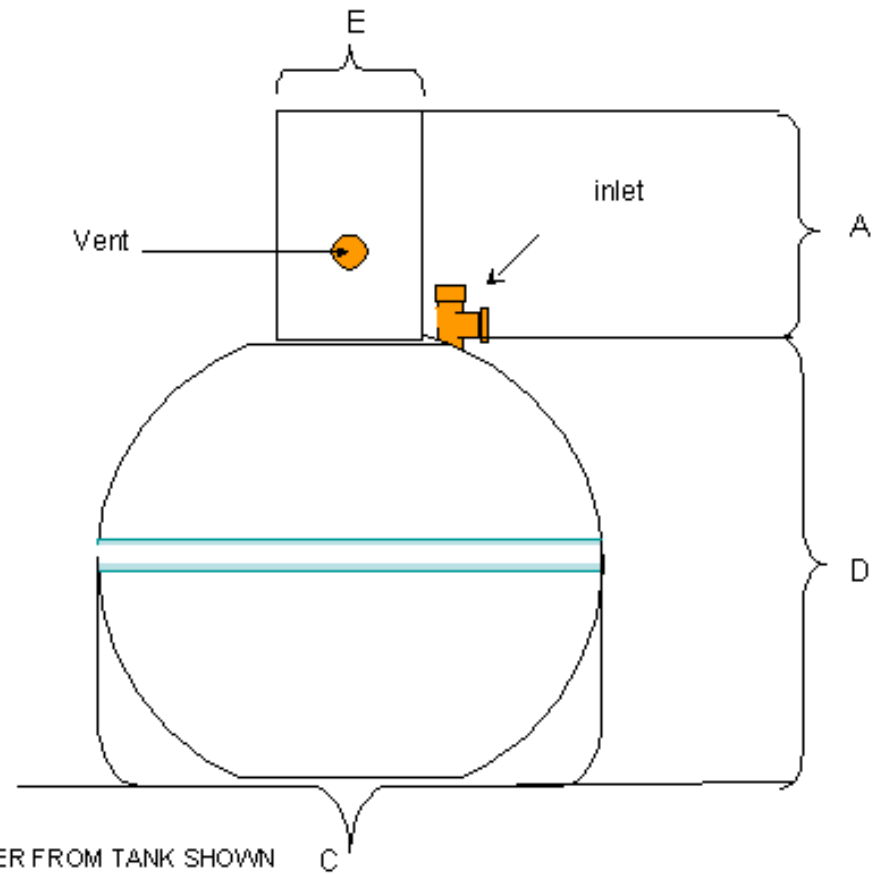
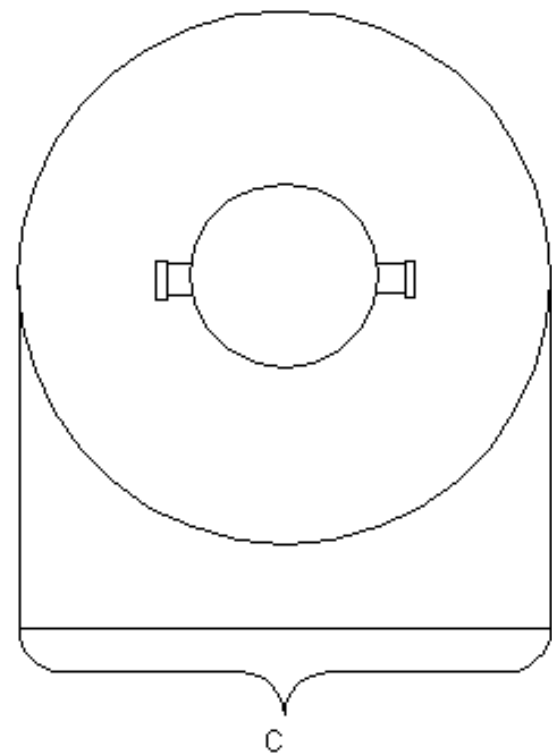


TANK SIZE LTR	DIM A STANDARD	DIM A HEAVY DUTY		DIM C mm	DIM D mm	DIM E mm
2800	1000	1500		1850	1565	450
3800	1000	1500		1985	1795	450
4500	1000	1500		2204	2035	450
6000	1000	1500		2300	2400	600



N.B TANK COLOURS MAY DIFFER FROM TANK SHOWN

SPHERICAL
cesspool

DRAWN BY	D.M.B
DRAWING NO	004 ST

